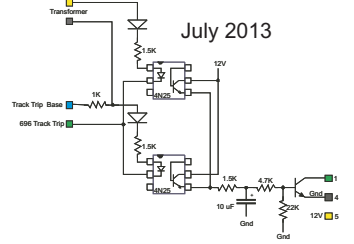
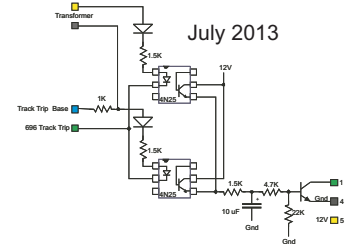
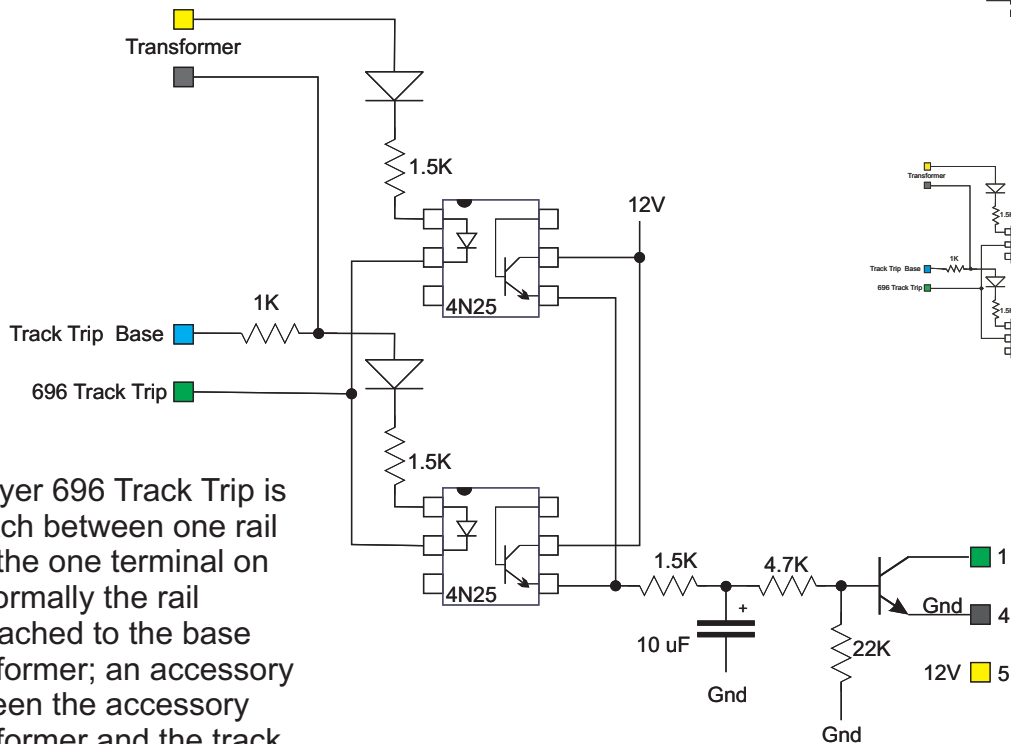


Transformer Track Trip
 Transformer Track Trip
 Transformer Track Trip
 696 Track Trip Conditioner
 696 Track Trip Conditioner



The American Flyer 696 Track Trip is an electrical switch between one rail of the track and the one terminal on the track trip. Normally the rail connection is attached to the base post of the transformer; an accessory connected between the accessory post of the transformer and the track trip terminal will be activated. This circuit is intended to work even if the rail connection is attached to the variable post of the transformer, as may occur on a reverse loop.

American Flyer 696 Track Trip Interface

Norbert Doerry
 July 2013