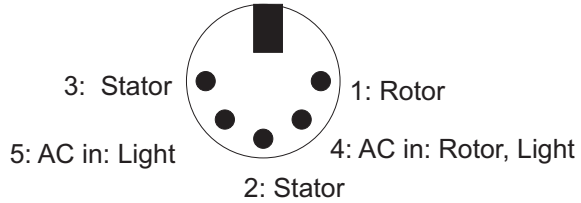


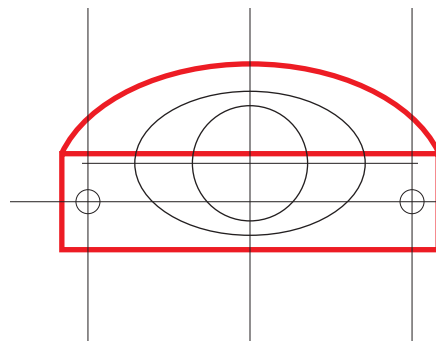
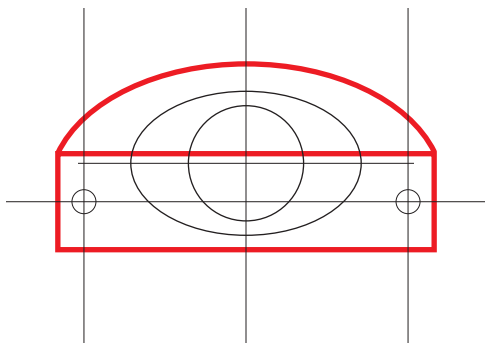
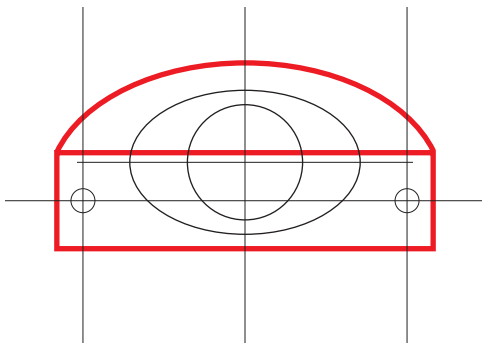
5 Pin DIN  
Female Connector



Note:  
Stator = Field  
Rotor = Armature

For Forward Motion:  
Connect:  
Pin 5 to 2  
Pin 1 to 3  
Pins 4 (forward) and 5 (aft) to tender trucks

For Reverse Motion  
Connect  
Pin 5 to 3  
Pin 1 to 2  
Pin 4 and 5 as above



312  
Cast Metal  
Template