

SWITCH CONTROLLER

Norbert Doerry

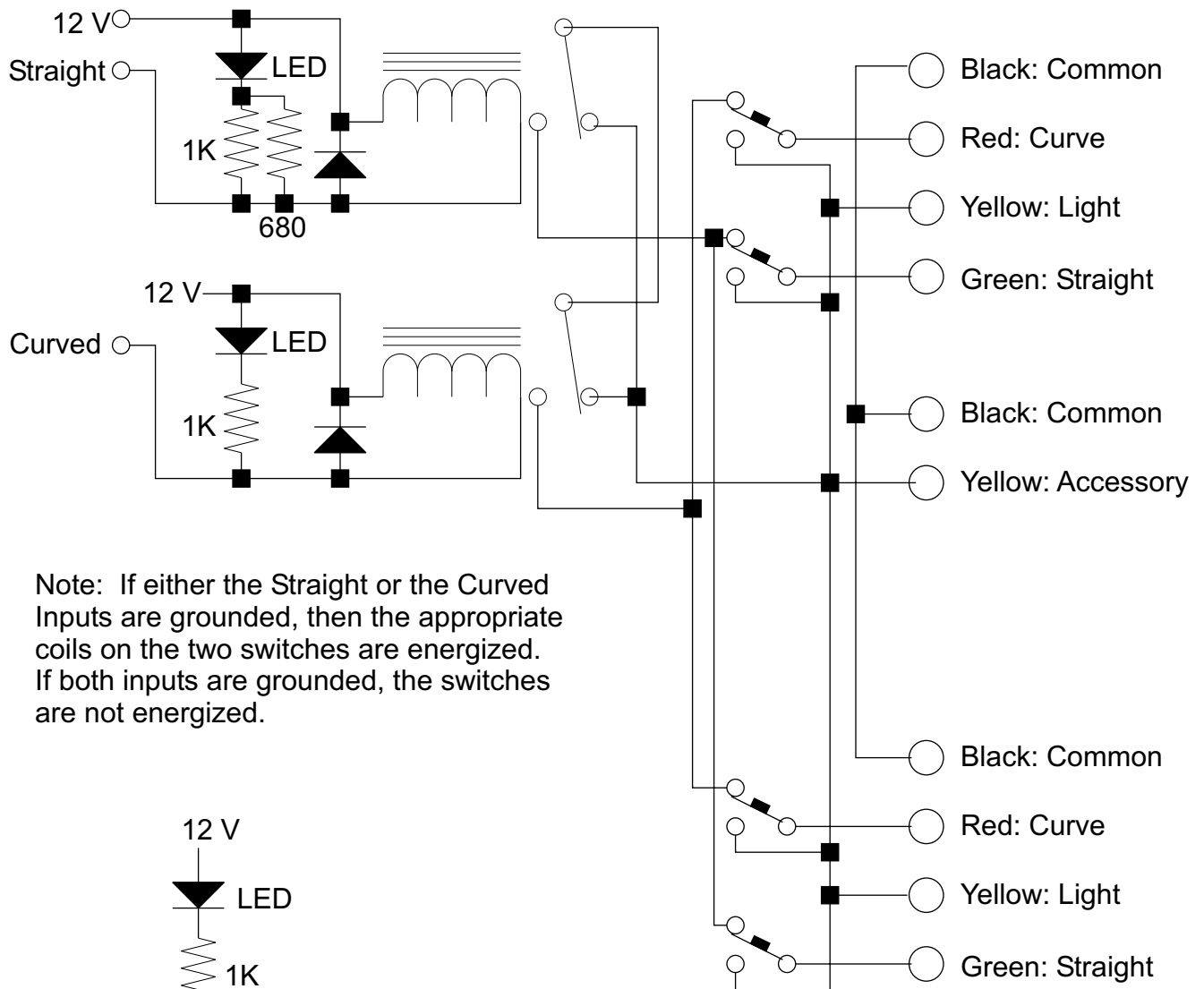
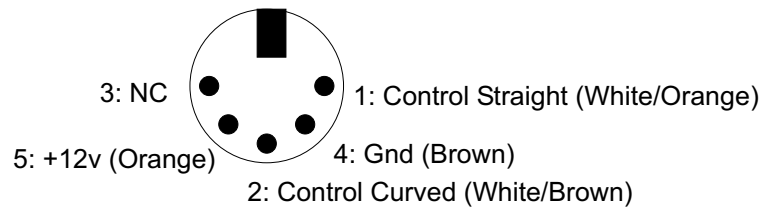
Rev 1: February 4, 2001

Rev 2: February 24, 2001

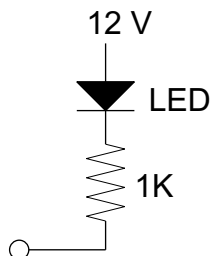
Alternate Colors

1. Green
2. Red
3. NC
4. Black
5. Yellow

5 Pin DIN
Female Connector

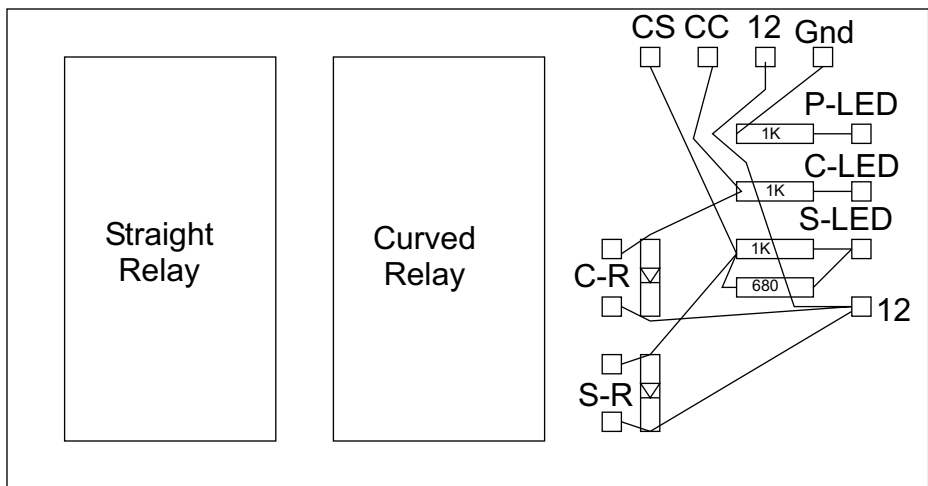
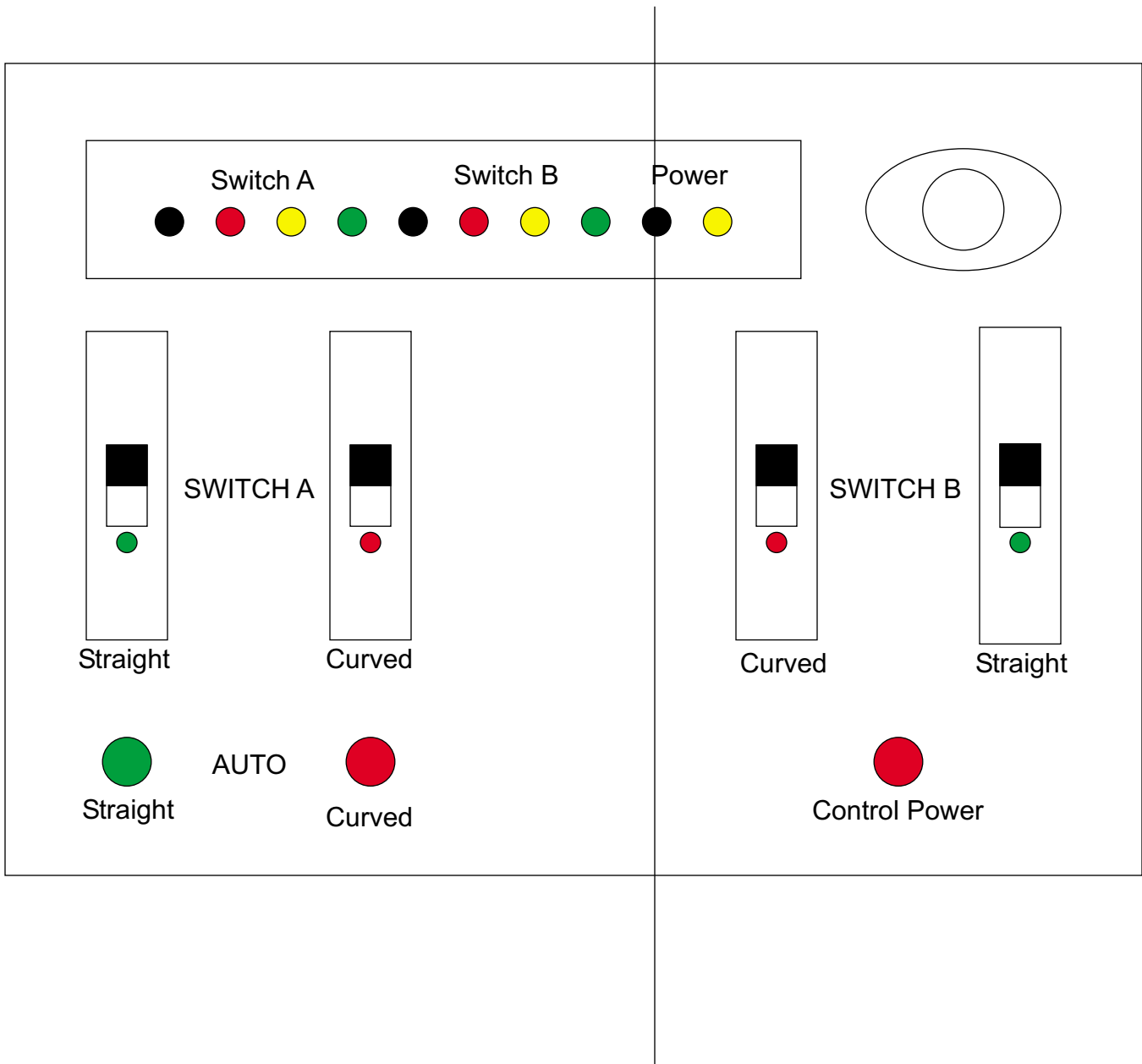


Note: If either the Straight or the Curved Inputs are grounded, then the appropriate coils on the two switches are energized. If both inputs are grounded, the switches are not energized.



These are
SPDT Momentary
Switches

NOTE: This unit completed construction on 2/24/2001



4.8 by 2.5 inches

SWITCH CONTROLLER LAYOUT

Norbert Doerry

Rev 1: Feb 8, 2001 Rev 2: Feb 24, 2001