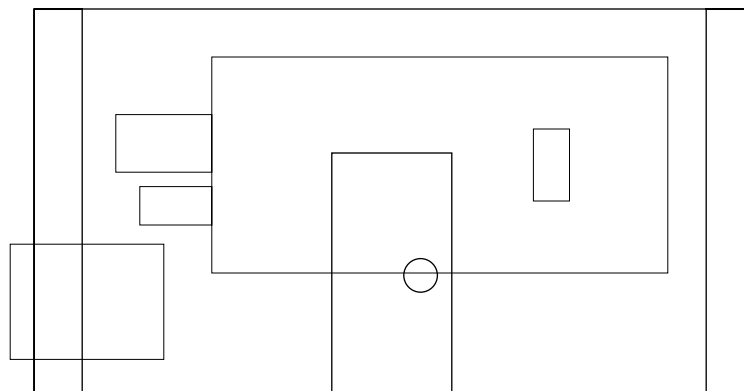
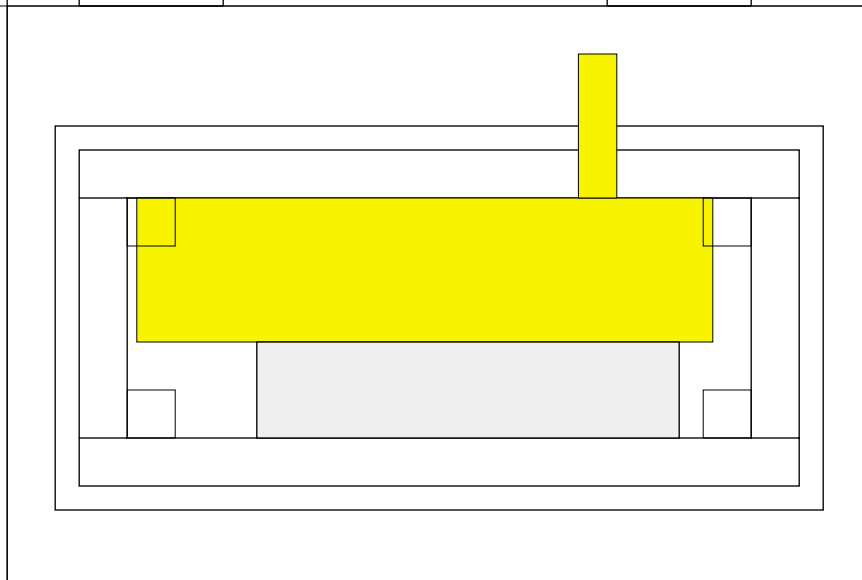


Roof is
4.0 by 2.0

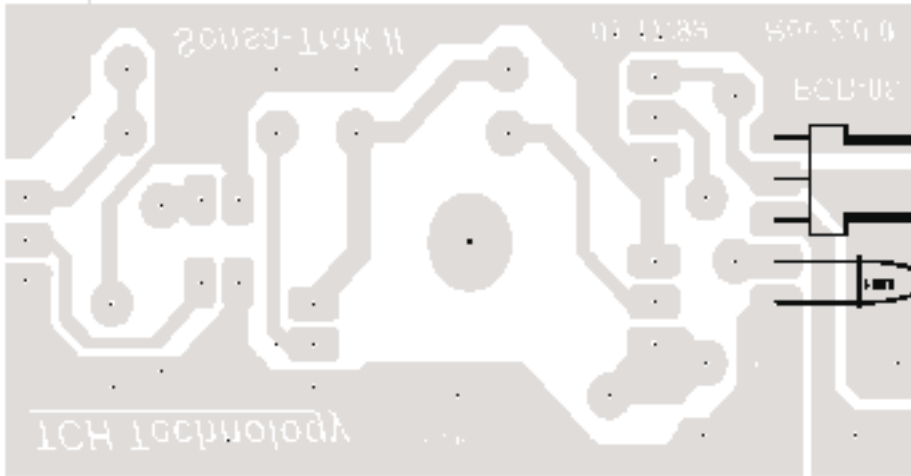
1/4 inch wood base
3 by 4.5

Building is
3.75 by 1.75

Sheet metal base
7.3 by 4.5
plus .25 inch ends



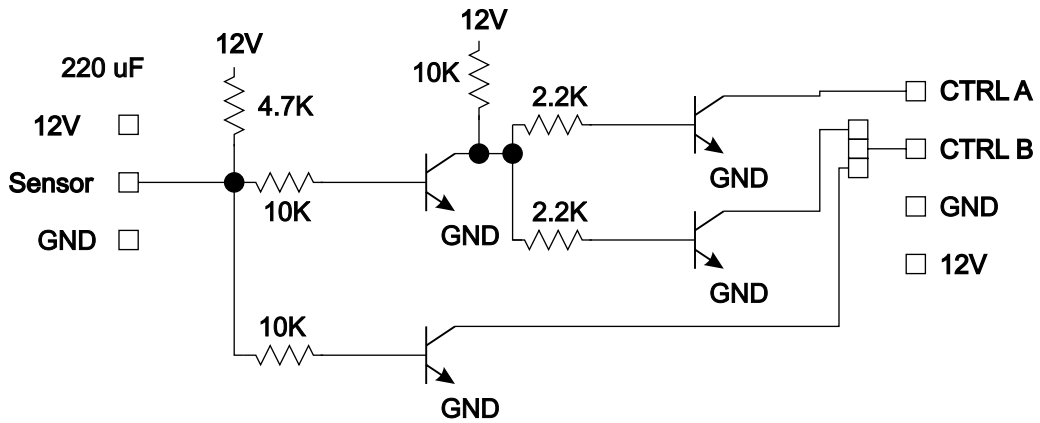
Sensa-Trak II Interface
December 16, 2007
Norbert Doerry



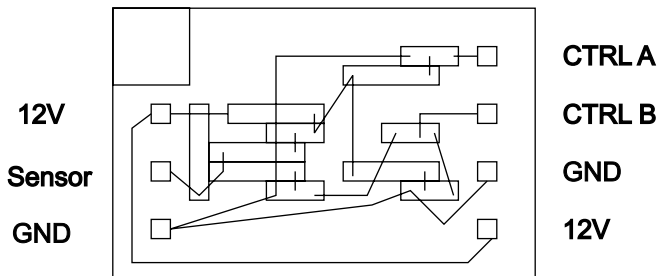
GND
Sensor
12V

Sensor Output Pulled to 12V by the LED and 1K Resistor

Sensa-Trak II Interface



Sensa-Trak II Interface



CTRL B can be:
- Disconnected
- The Same as CTRL A
- The Inverse of CTRL A

Card Size 2.2 by 1.4

5 Pin DIN Female Connector

