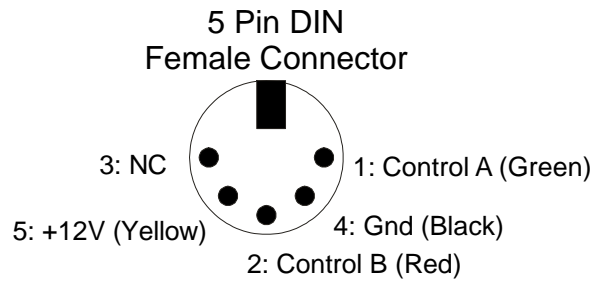
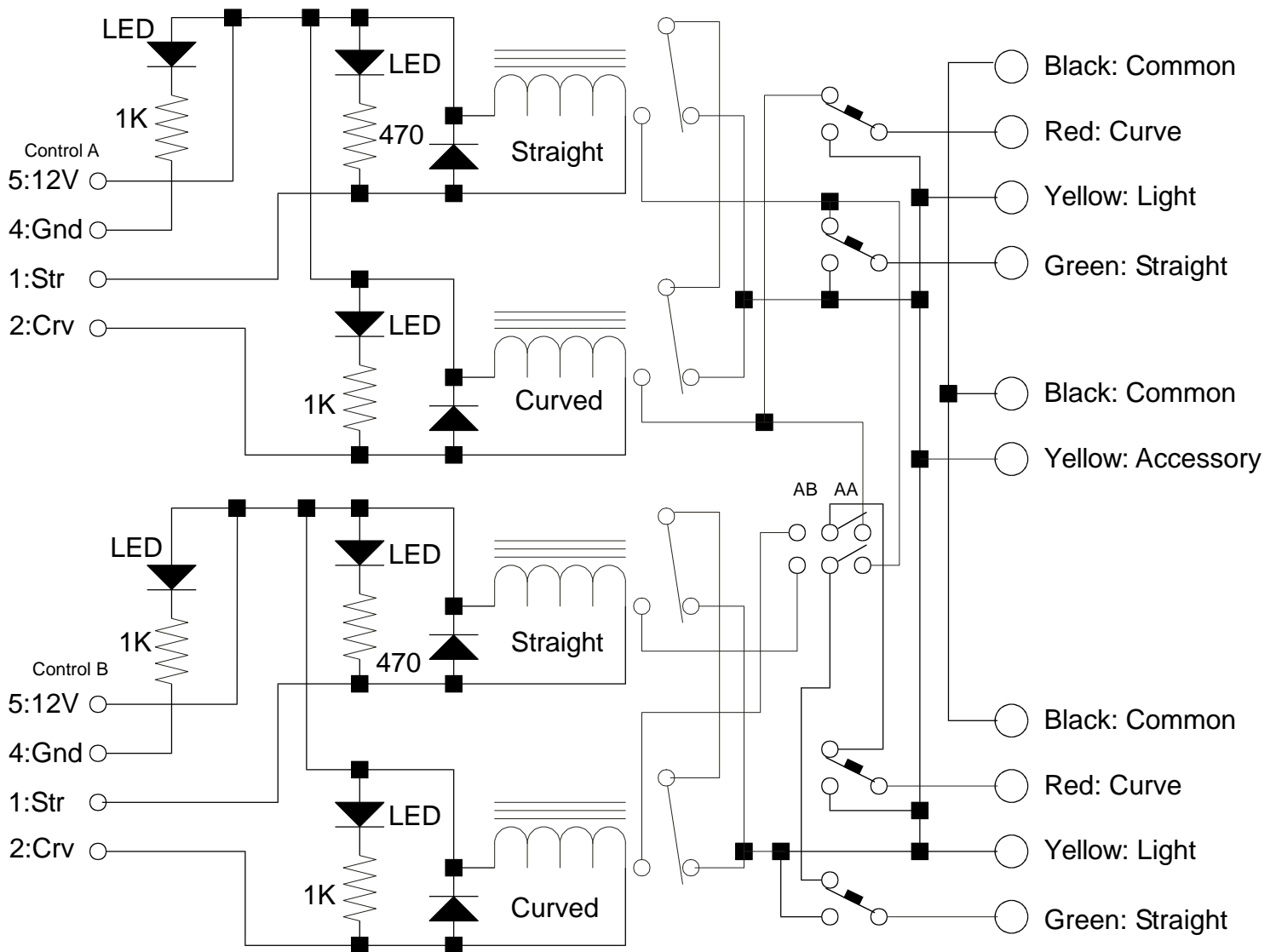


# Remote Switch Controller Sheet 1

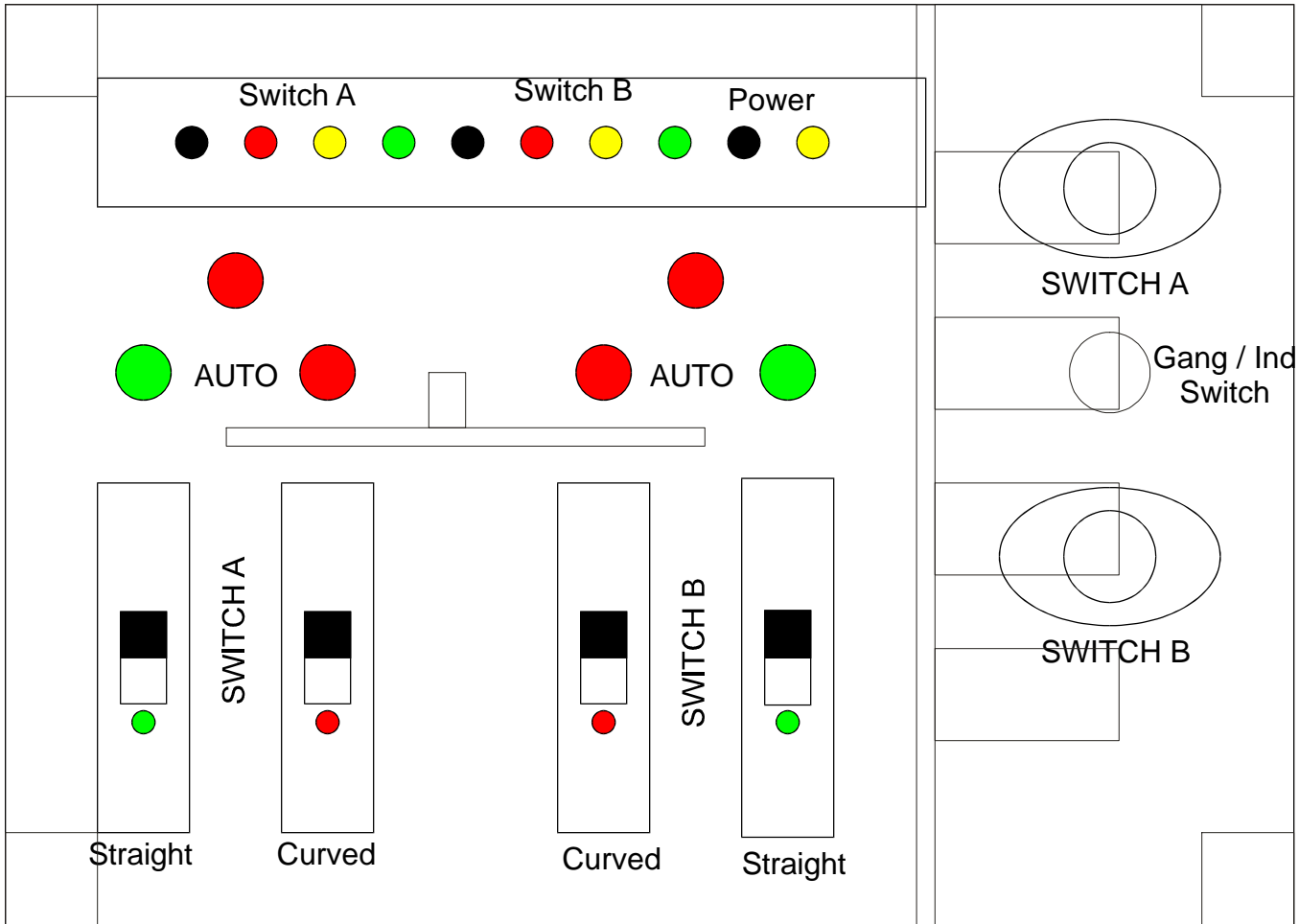
Norbert Doerry  
September 15, 2002



Note: If either the Straight or the Curved Inputs are grounded, then the appropriate coil on the switch is energized. If both inputs are grounded, the switch coils are not energized.

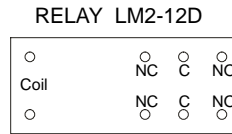
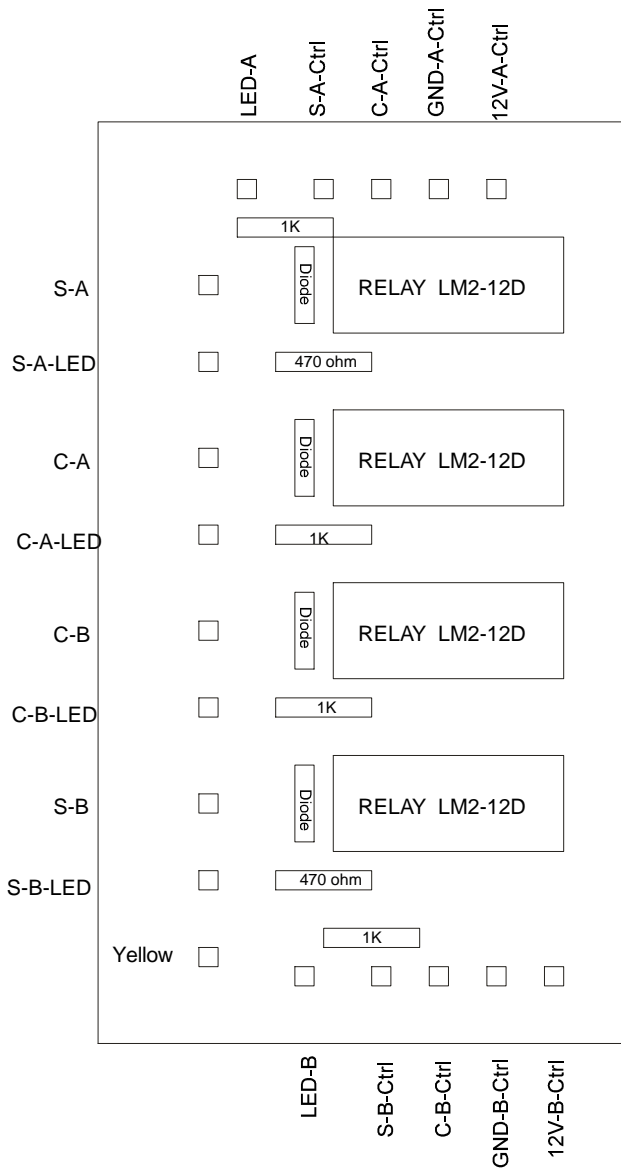


These are  
SPDT Momentary  
Switches



Remote Switch Controller  
Sheet 2

Norbert Doerry  
September 15, 2002



Remote Switch Controller  
Sheet 3

Norbert Doerry  
September 15, 2002  
Rev A: September 28, 2002