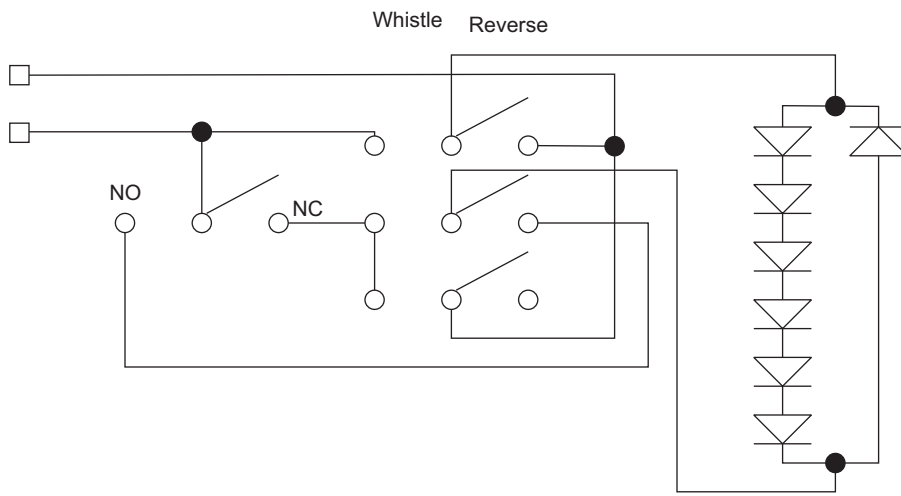


Railsounds Controller for Reversing / Whistle Control

Norbert Doerry
December 2012



Whistle: Outputs are shorted in NC position, and through diodes in NO position
Reverse: Outputs are open in NC position, and through diodes in reverse direction in NO position

