

¼ inch wood base
.9 by 5

Roof is
4.75 by 2.5

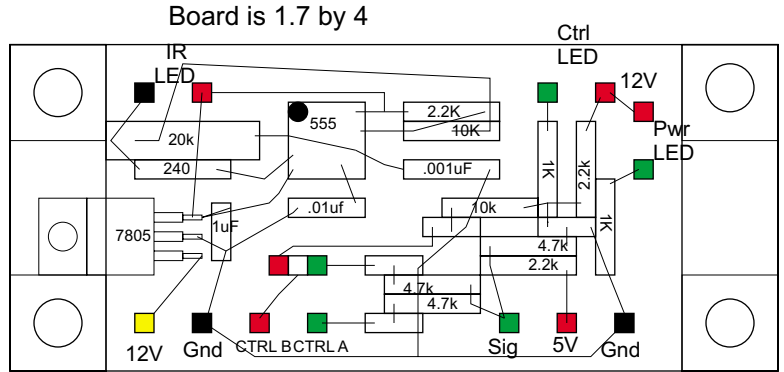
¼ inch wood base
3.5 by 5

Building is
4.5 by 2.25

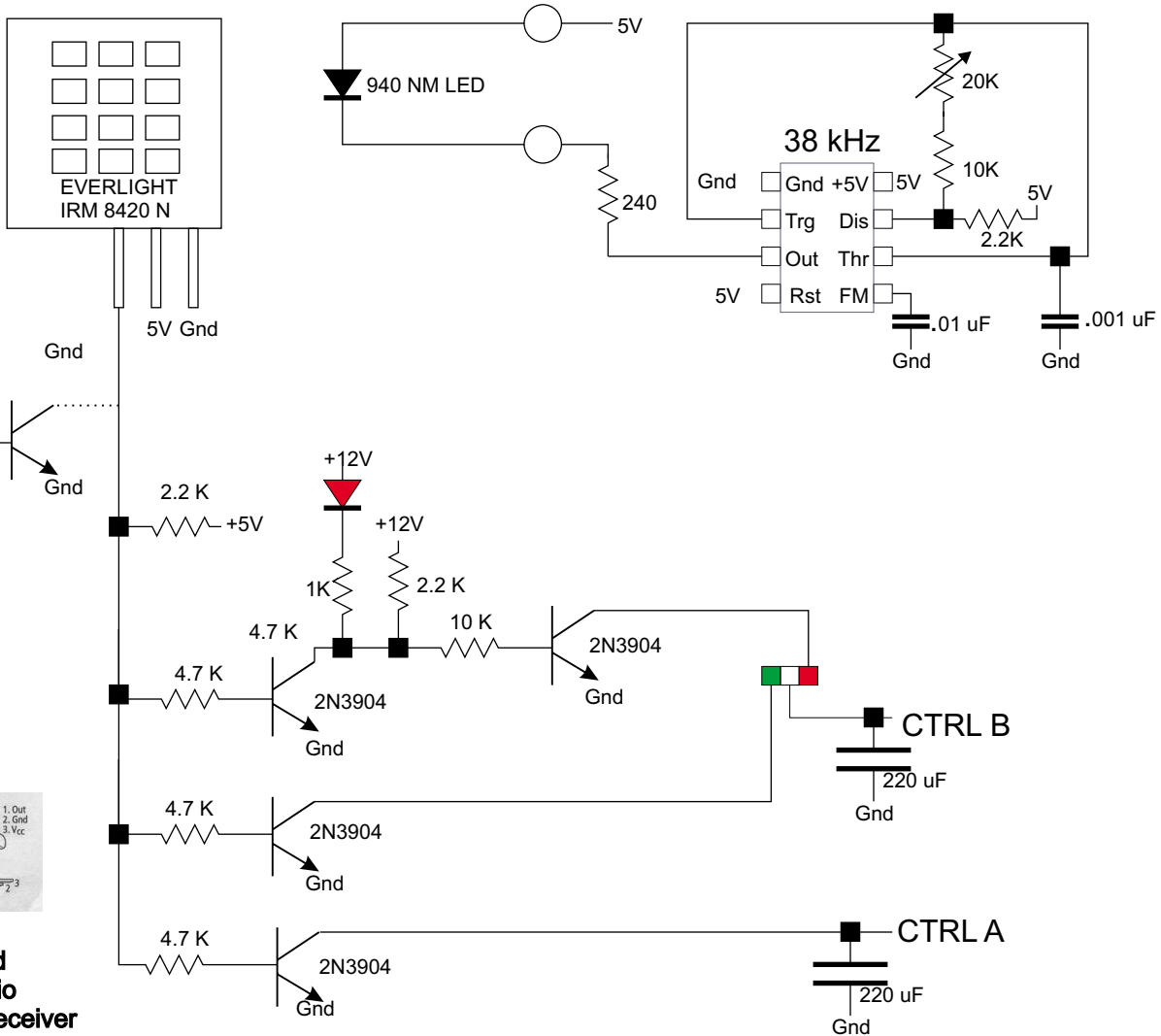
Sheet metal base
8.75 by 5
plus .25 inch ends

Infrared Track Trip

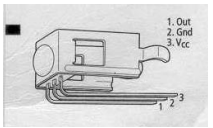
Norbert Doerry
 December 24, 2007
 Rev A: January 1, 2008



Train interrupts the IR Light Beam



10 K
 Gnd
 5V
 Alternate Connection for Radio Shack 276-640 IR Receiver Module



Note: Could not get Radio Shack IR Receiver Module to work well, used Everlight IRM

5 Pin DIN Female Connector

