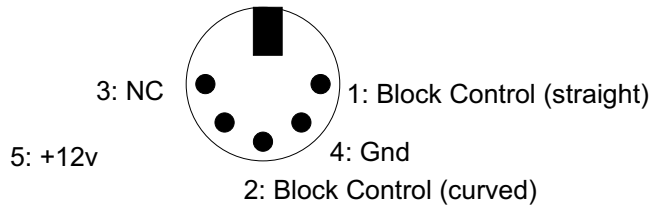


Relay contacts should be rated for 5 amps or more

**Alternate Colors**

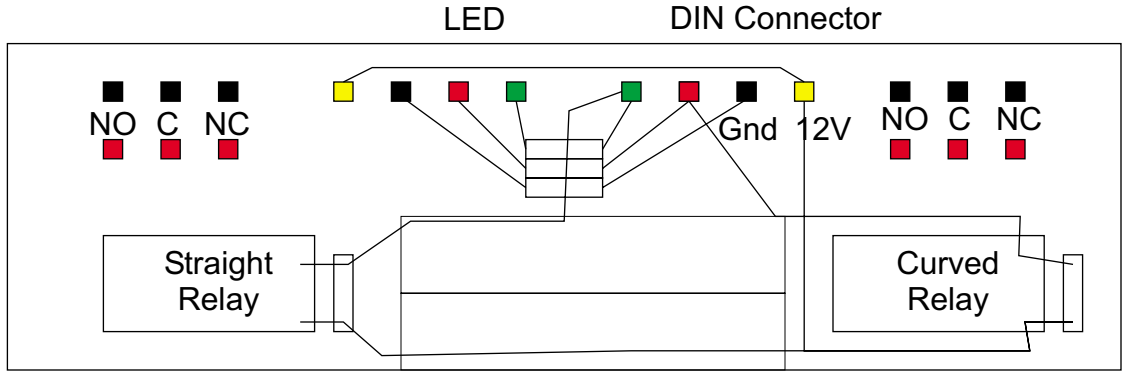
- 1. Green
- 2. Red
- 3. NC
- 4. Black
- 5. Yellow

**5 Pin DIN Female Connector**



**BLOCK CONTROL**  
 Norbert Doerry  
 Variant B  
 Rev 1: September 11, 2007

NO - Switch  
 C - Track  
 NC - Power



Curved Pwr

