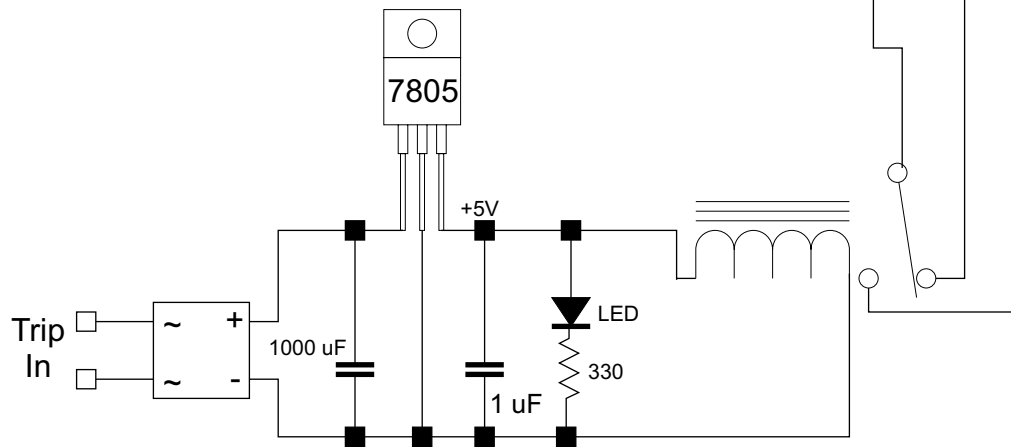
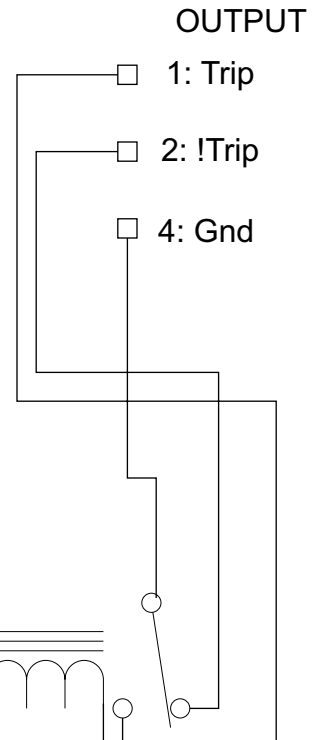
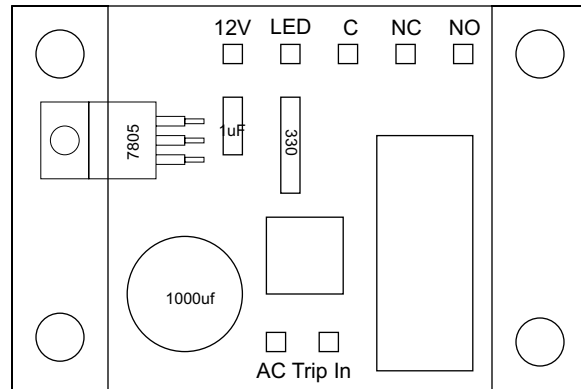
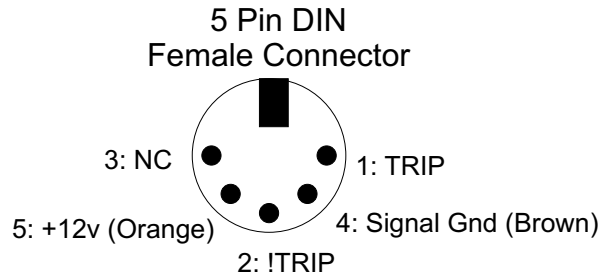


# A.F. Track Trip Conditioner

Norbert Doerry  
July 27, 2001



For interfacing an American Flyer type 696 Track Trip to control circuits