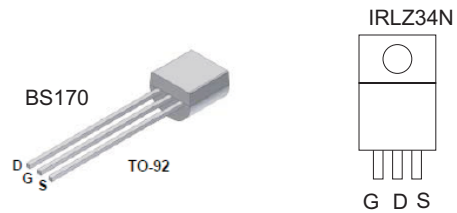
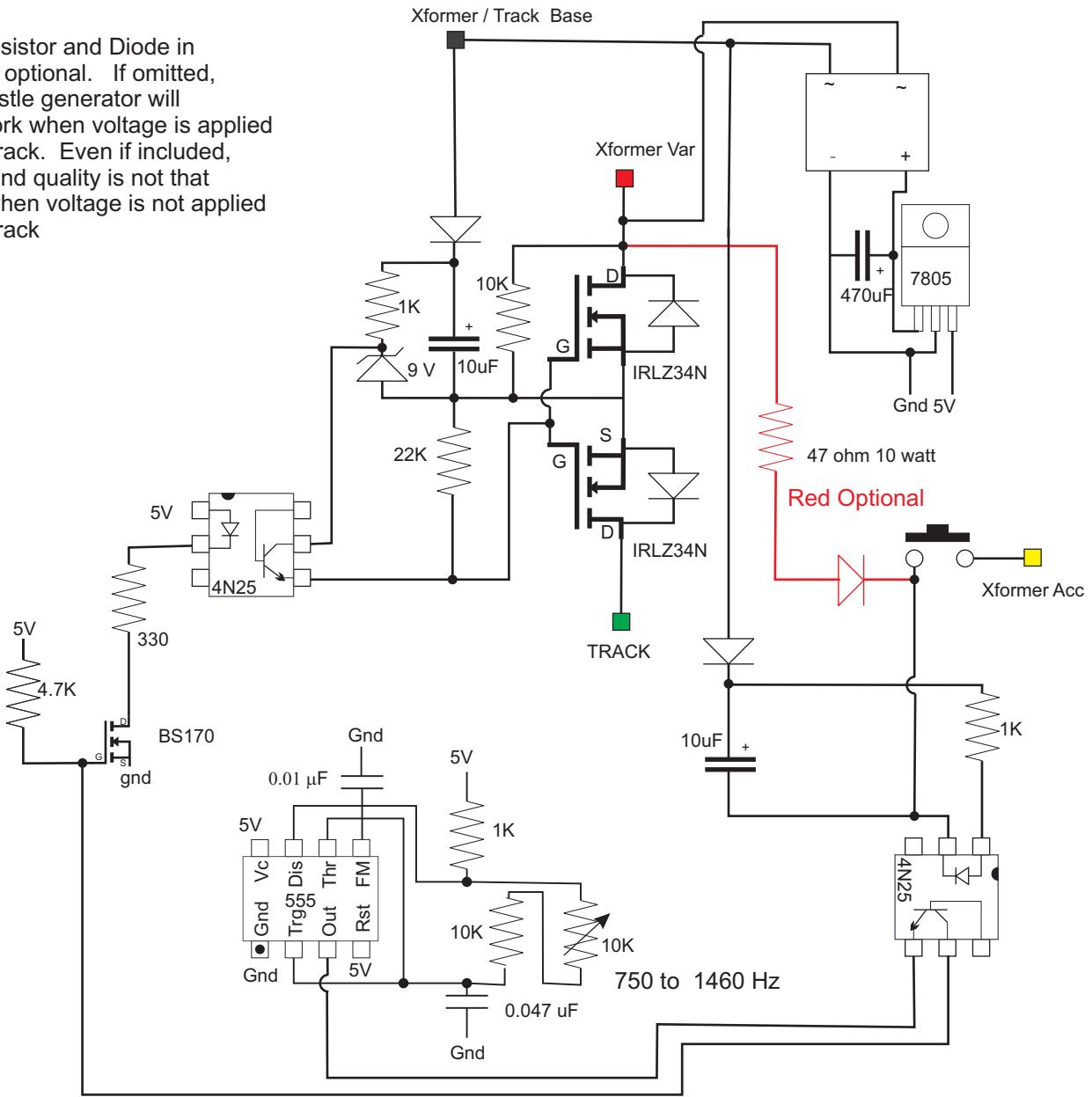


Electronic Air Chime Whistle Generator

Norbert Doerry
December 2014
Rev B



The Resistor and Diode in red are optional. If omitted, the whistle generator will only work when voltage is applied to the track. Even if included, the sound quality is not that great when voltage is not applied to the track



$$t1 = 0.693(Ra+Rb)Ct$$

$$t0 = 0.693RbCt$$

$$T = t1+t0$$

$$f = 1/T$$