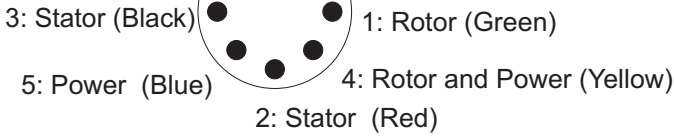


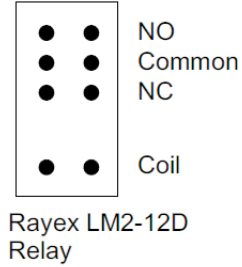
5 Pin DIN  
Female Connector

Forward: 5-2 and 1-3  
Reverse: 5-3 and 1-2

Reverse unit works on  
AC, DC, AC/DC and  
with Railsounds Controller.

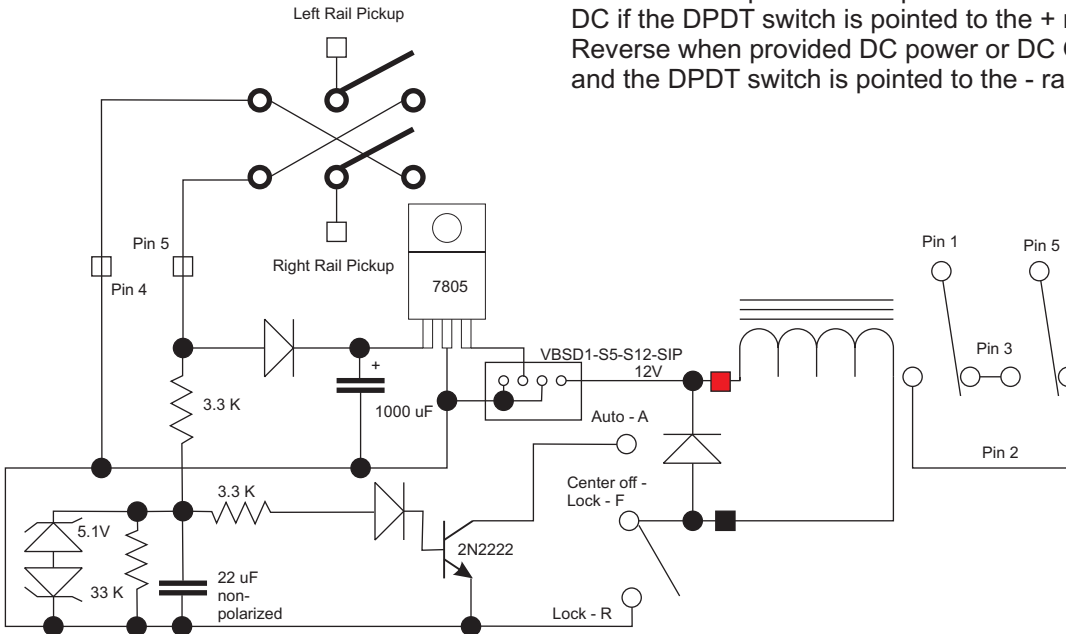
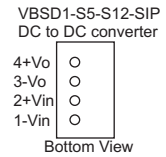


Note: At low speeds, the track voltage is not high enough to actuate the relay. The 7805 creates 5 volts that is then converted to 12 VDC with the DC-to-DC converter.



Switch is oriented so it points to the negative rail when the train is going in reverse

With switch in Auto mode train travels Forward when provided AC power or DC if the DPDT switch is pointed to the + rail  
Reverse when provided DC power or DC Offset and the DPDT switch is pointed to the - rail.



1.6 by 3.6

