

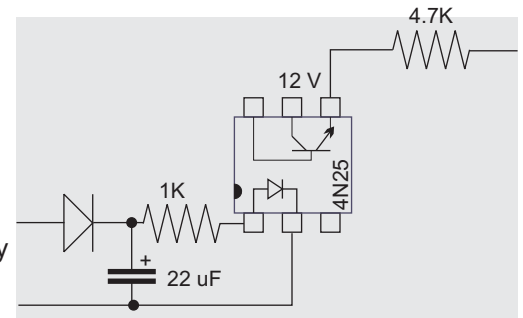
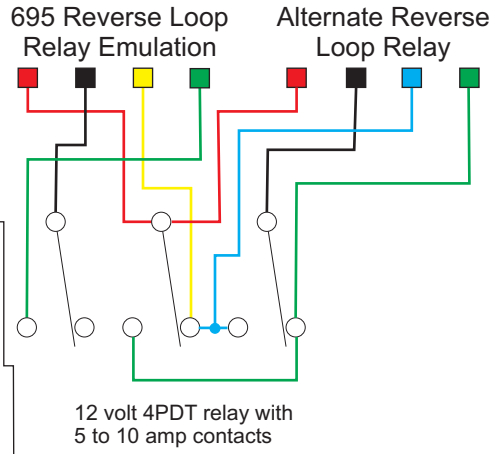
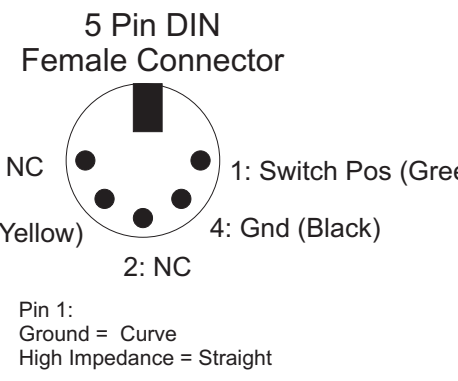
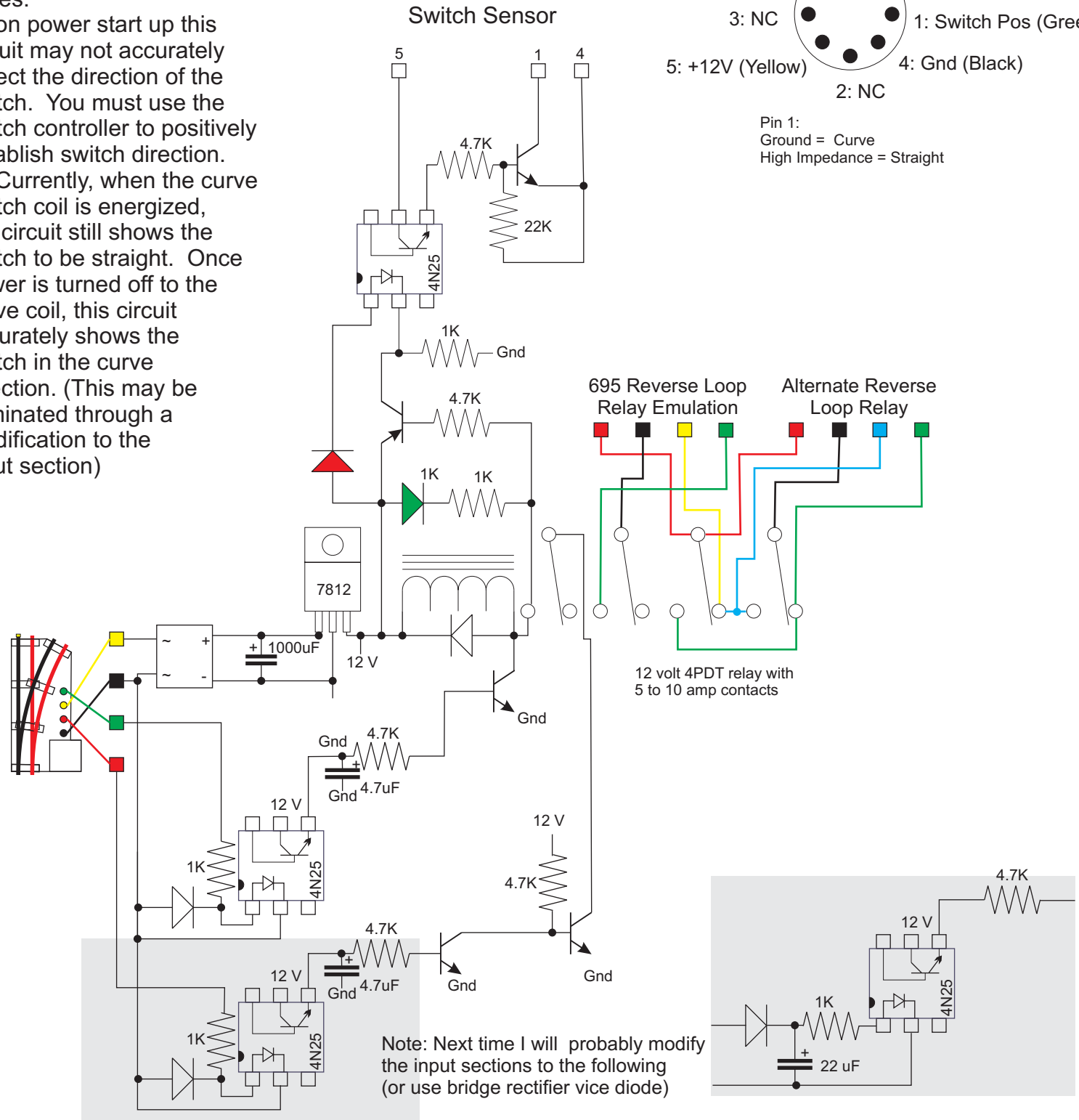
Switch Sensor and Reverse Loop Relay

Norbert Doerry

July 2013

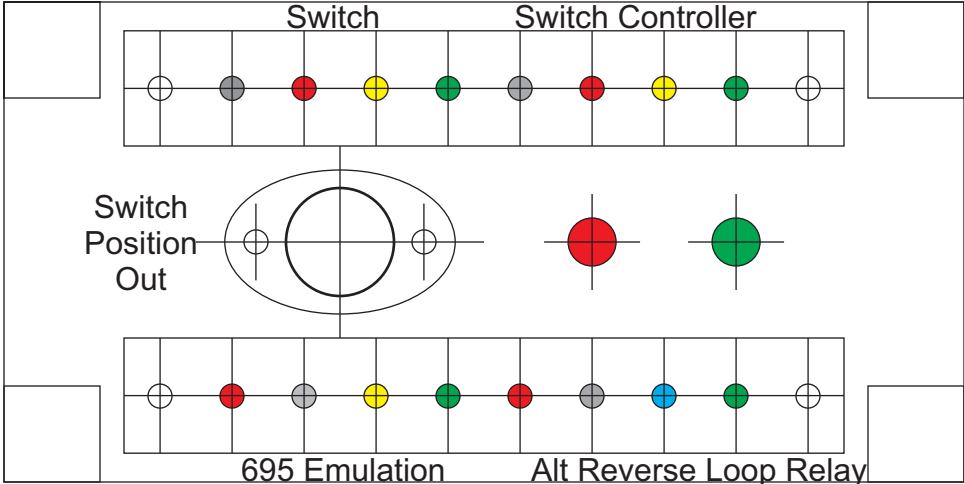
Notes:

1. on power start up this circuit may not accurately reflect the direction of the switch. You must use the switch controller to positively establish switch direction.
2. Currently, when the curve switch coil is energized, the circuit still shows the switch to be straight. Once power is turned off to the curve coil, this circuit accurately shows the switch in the curve direction. (This may be eliminated through a modification to the input section)

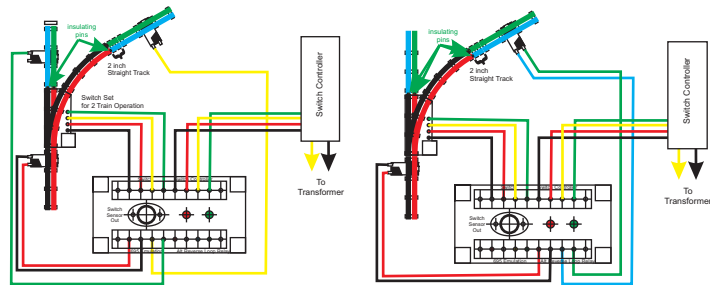
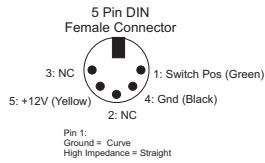


Switch Sensor and Reverse Loop Relay

June 2013



Apply Double Sided Tape to glass
 Apply Label to Double Sided Tape
 Apply one sided Tape on top of label
 Cut label out with X-acto knife
 Peel label off of glass and apply



Switch Controller

Switch

Switch
 Position
 Out

695 Emulation

Alt Reverse
 Loop Relay