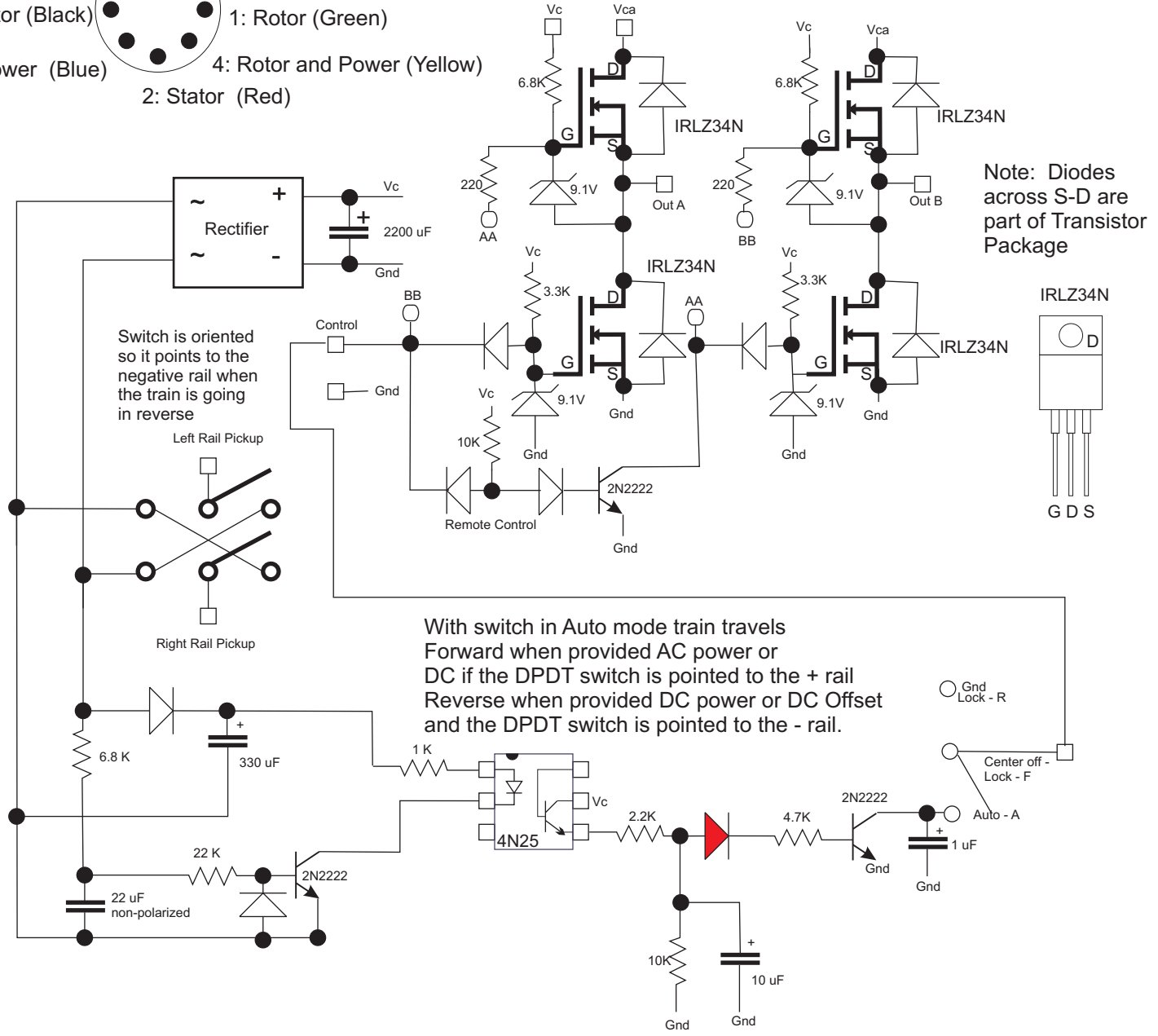


5 Pin DIN
Female Connector

Forward: 5-2 and 1-3
Reverse: 5-3 and 1-2

Reverse unit works on AC, DC, AC/DC and with Railsounds Controller.

- 3: Stator (Black)
- 1: Rotor (Green)
- 5: Power (Blue)
- 4: Rotor and Power (Yellow)
- 2: Stator (Red)



1.6 by 4.8

