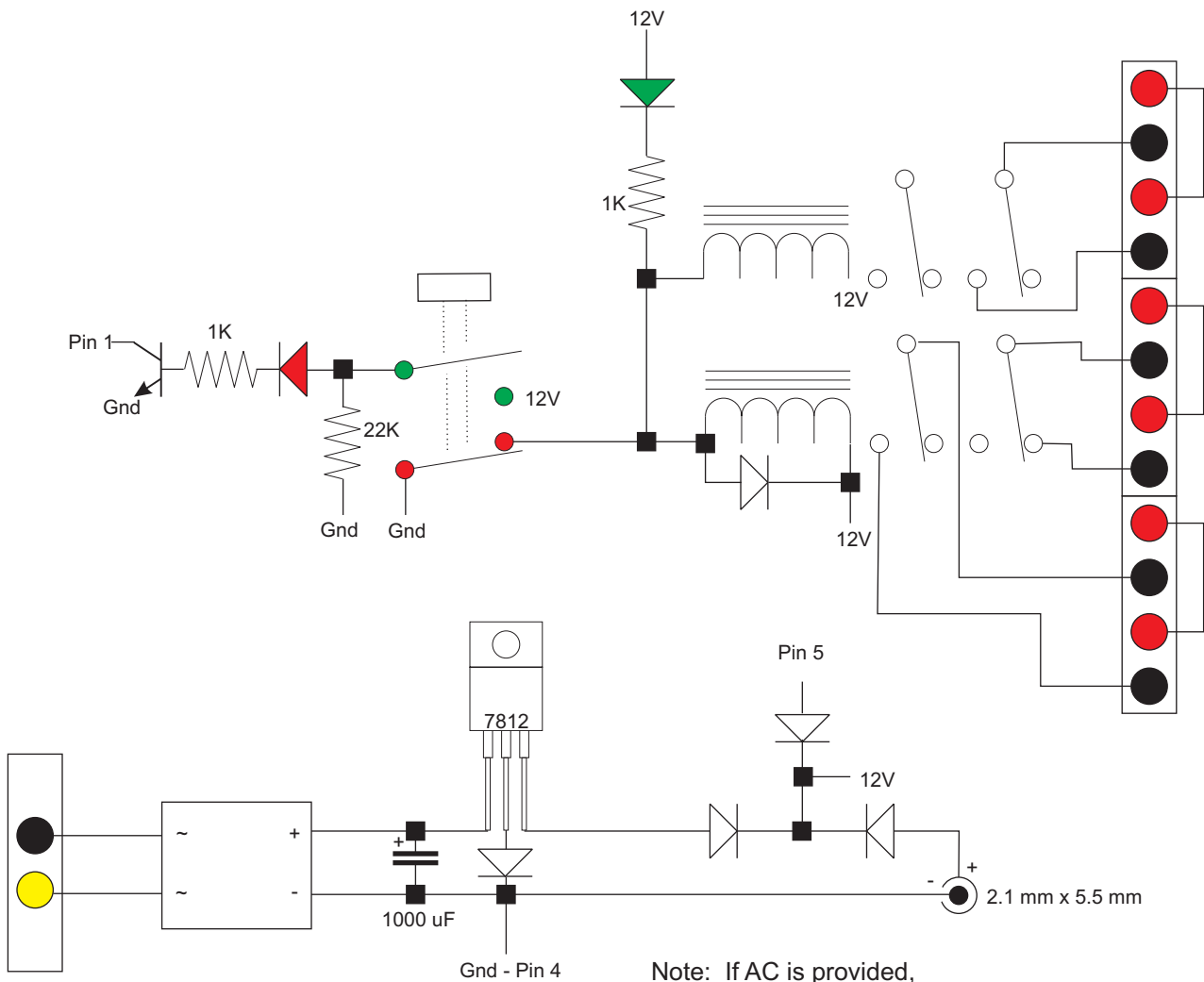
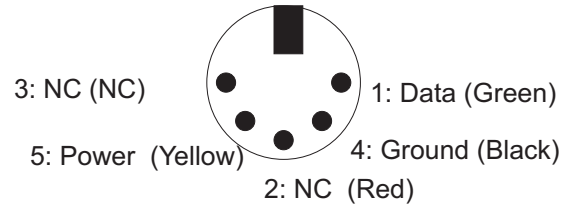


### 5 Pin DIN Female Connector

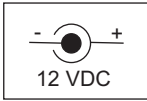


Note: If AC is provided, then it will take priority over the other two inputs, assuming the DC in will be less than 12.6 volts.

Train Emergency Stop  
Norbert Doerry  
August 13, 2011

# Emergency Stop

August 2011



12 - 20  
VAC

