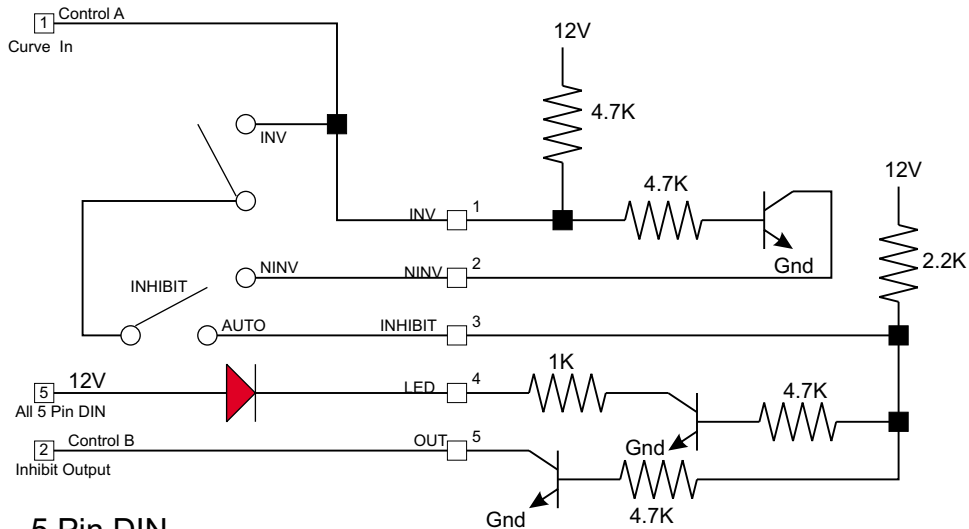
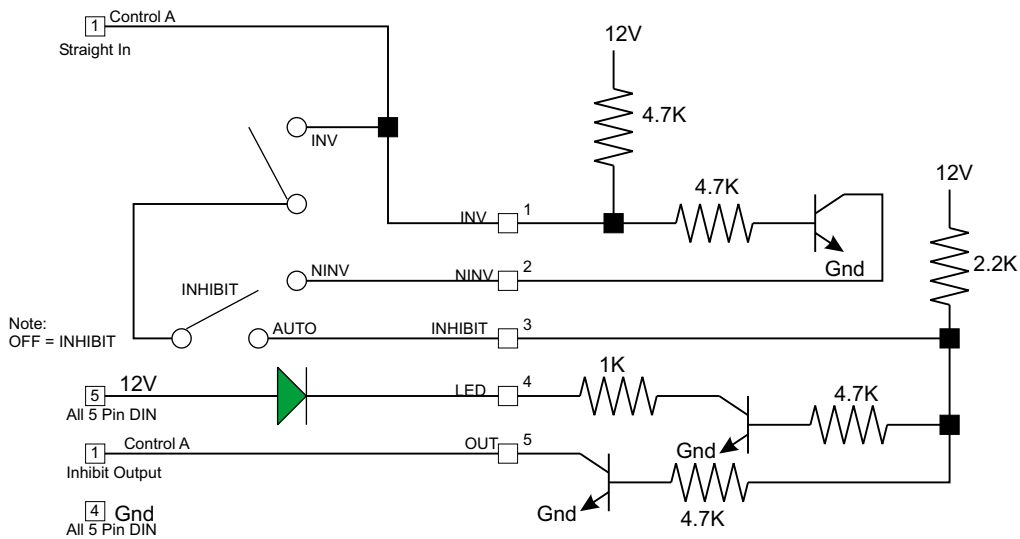


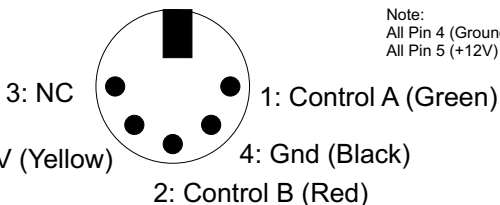
BLOCK INHIBIT

Norbert Doerry
December 31, 2007

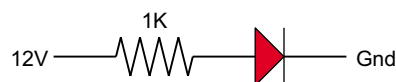
Control Inputs are sensors on switches. If switches are in the “wrong direction” (direction selected by the INV - NINV switch) or manually set by the operator (Inhibit - Auto switch) then a low (Ground) on the output pin will signal to turn power off to the control block of the track.



5 Pin DIN
Female Connector



Note:
All Pin 4 (Ground) tied together
All Pin 5 (+12V) tied together



BLOCK INHIBIT

Norbert Doerry
 December 31, 2007

