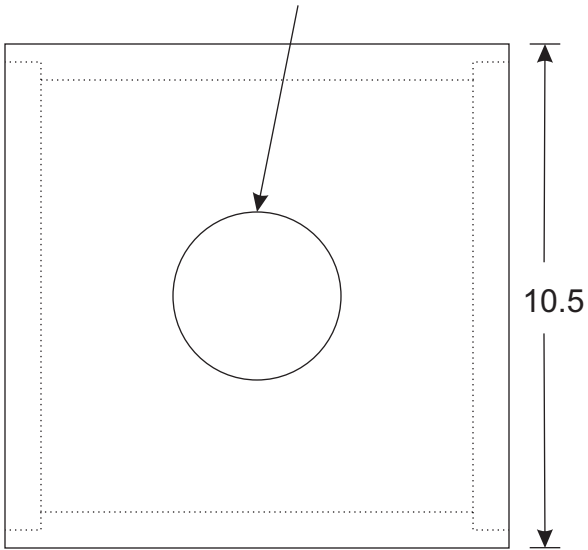


3.5 Diameter Hole (centered)



All boards are 0.75 thick
Joints are 0.375 deep

