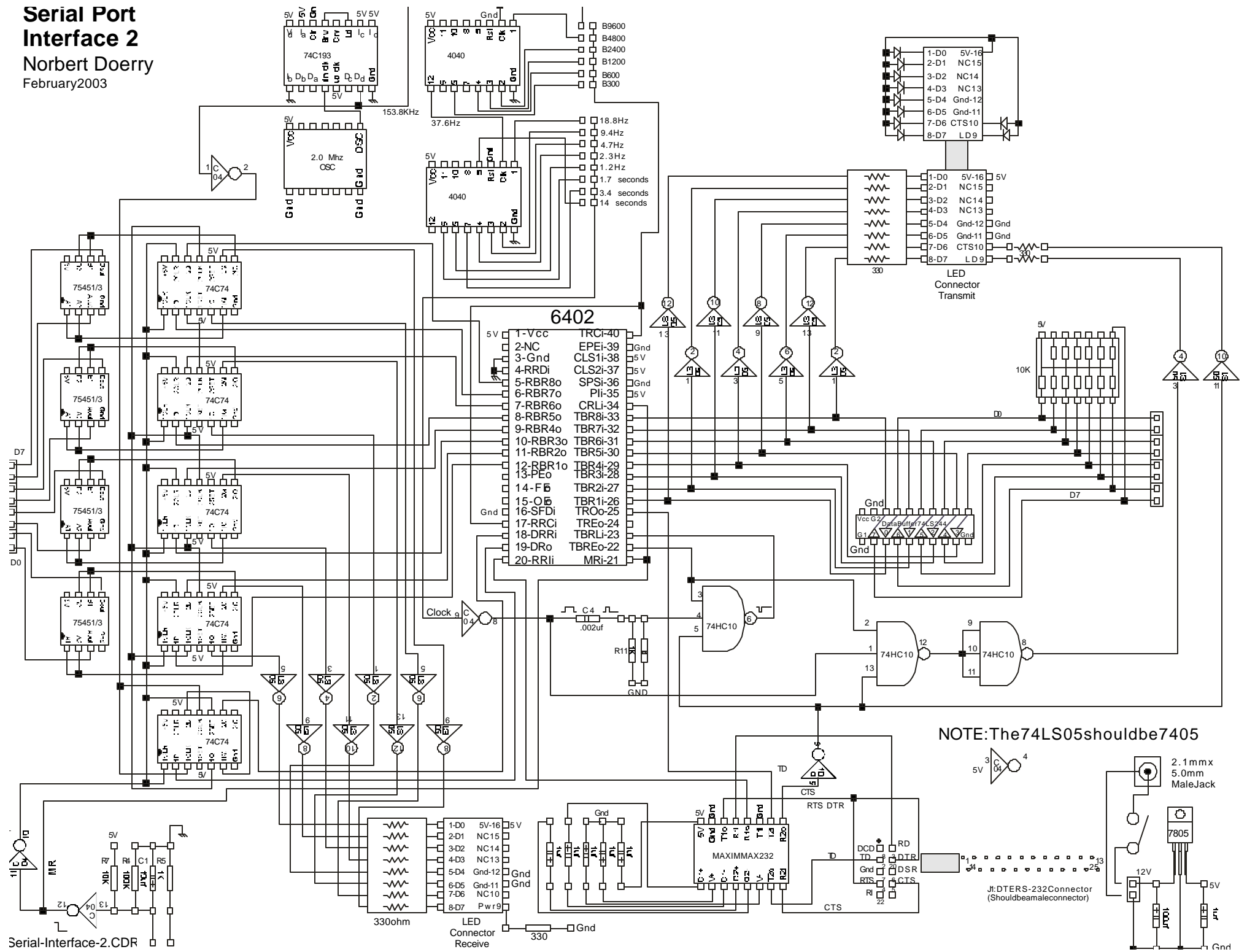


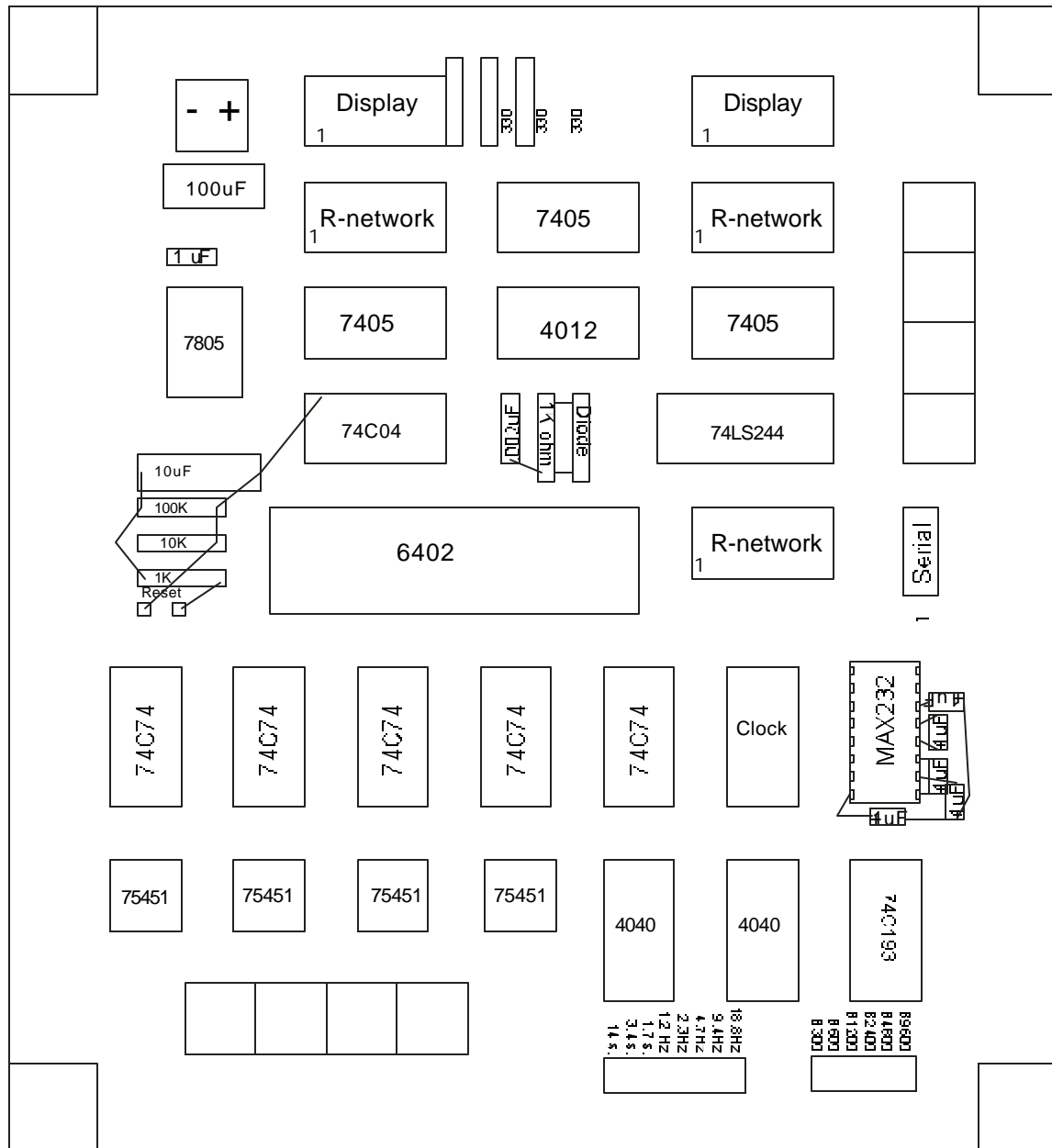
Serial Port Interface 2

Norbert Doerry
February 2003



NOTE: The 74LS05 should be 7405

Serial-Interface-2.CDR



6by6.5inches

Serial PortInterface 2
 Norbert Doerry
 February2003

Serial-Interface-2.cdr

RS-232 DB-25
to RJ-45 Connector

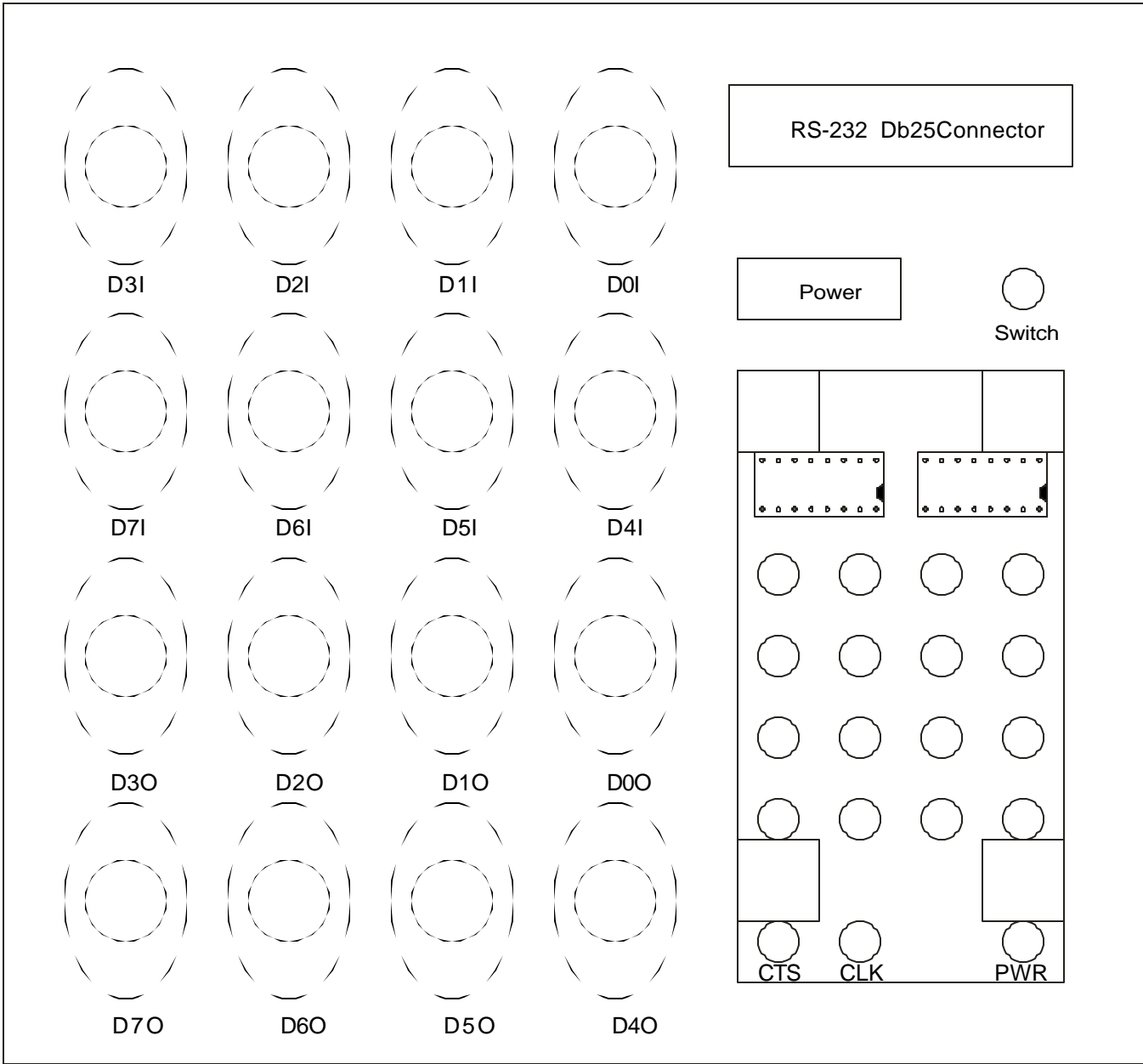
DB-25	Name	Ref DTE	RJ-45	Color
2	TD	Out	6	Green/White
3	RD	In	5	White/Blue
4	RTS	Out	8	Brown/White
5	CTS	In	7	White/Brown
6	DSR	In	1	White/Orange
7	Gnd		4	Blue/White
8	DCD	In	2	Orange/White
20	DTR	Out	3	White/Green
22	RI	In		

RS-232 DB-9 / DB-25
to RJ-45 Connector Null Modem

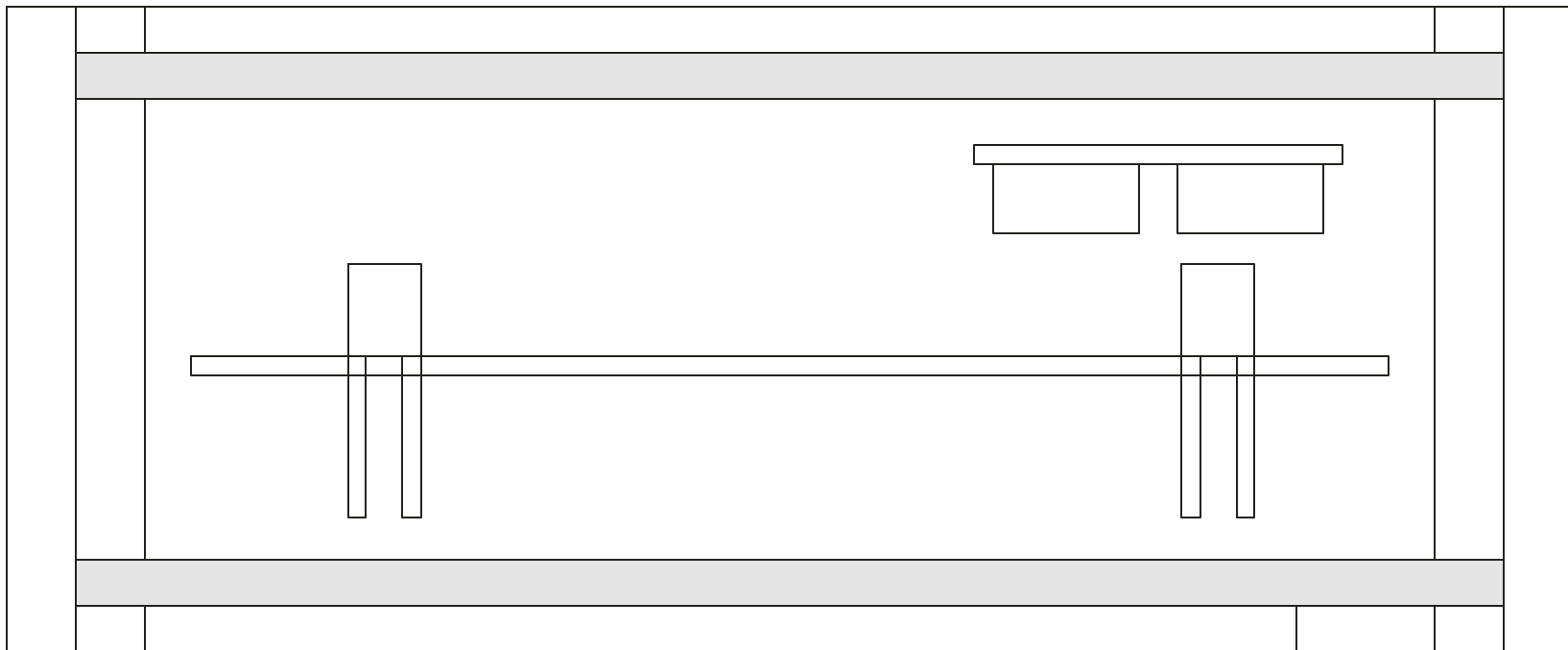
DB-9	DB-25	Name	Ref DTE	RJ-45	Color
3	2	TD	Out	5	White/Blue
2	3	RD	In	6	Green/White
7	4	RTS	Out	7	White/Brown
8	5	CTS	In	8	Brown/White
6	6	DSR	In	3	White/Green
5	7	Gnd		4	Blue/White
1	8	DCD	In	3	White/Green
4	20	DTR	Out	2 1	Orange/White White/Orange
9	22	RI	In		

Serial Port Interface
Norbert H. Doerry
Rev B: August 1999

Serial-Interface.cdr



Serial PortInterface 2
 Norbert Doerry
 February2003



Serial PortInterface 2
Norbert Doerry
February2003

Serial-Interface-2.cdr