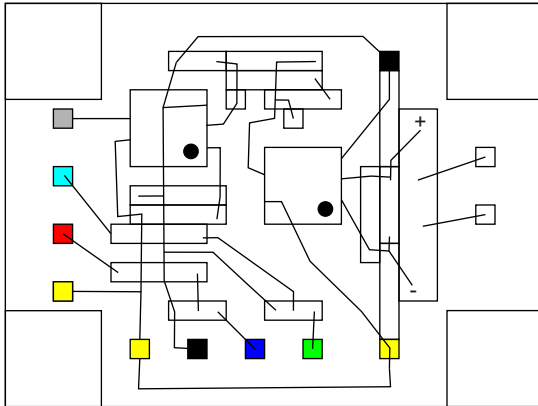
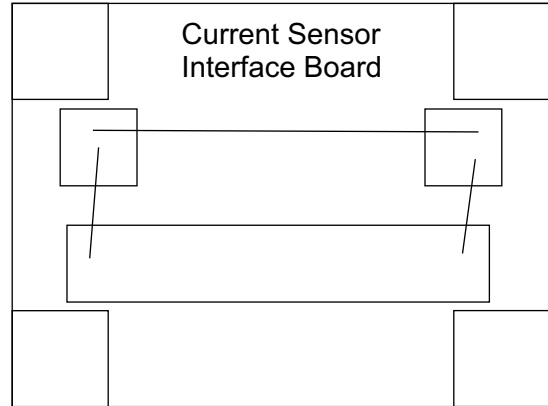


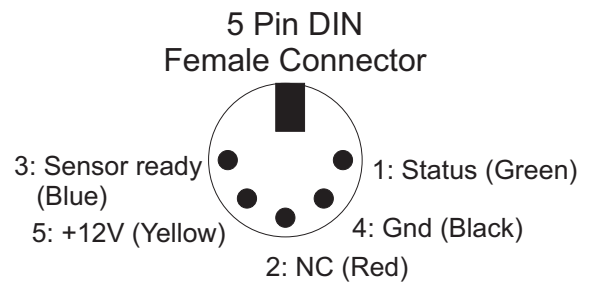
2.8 in by 2.1 in



2.8 in by 2.1 in

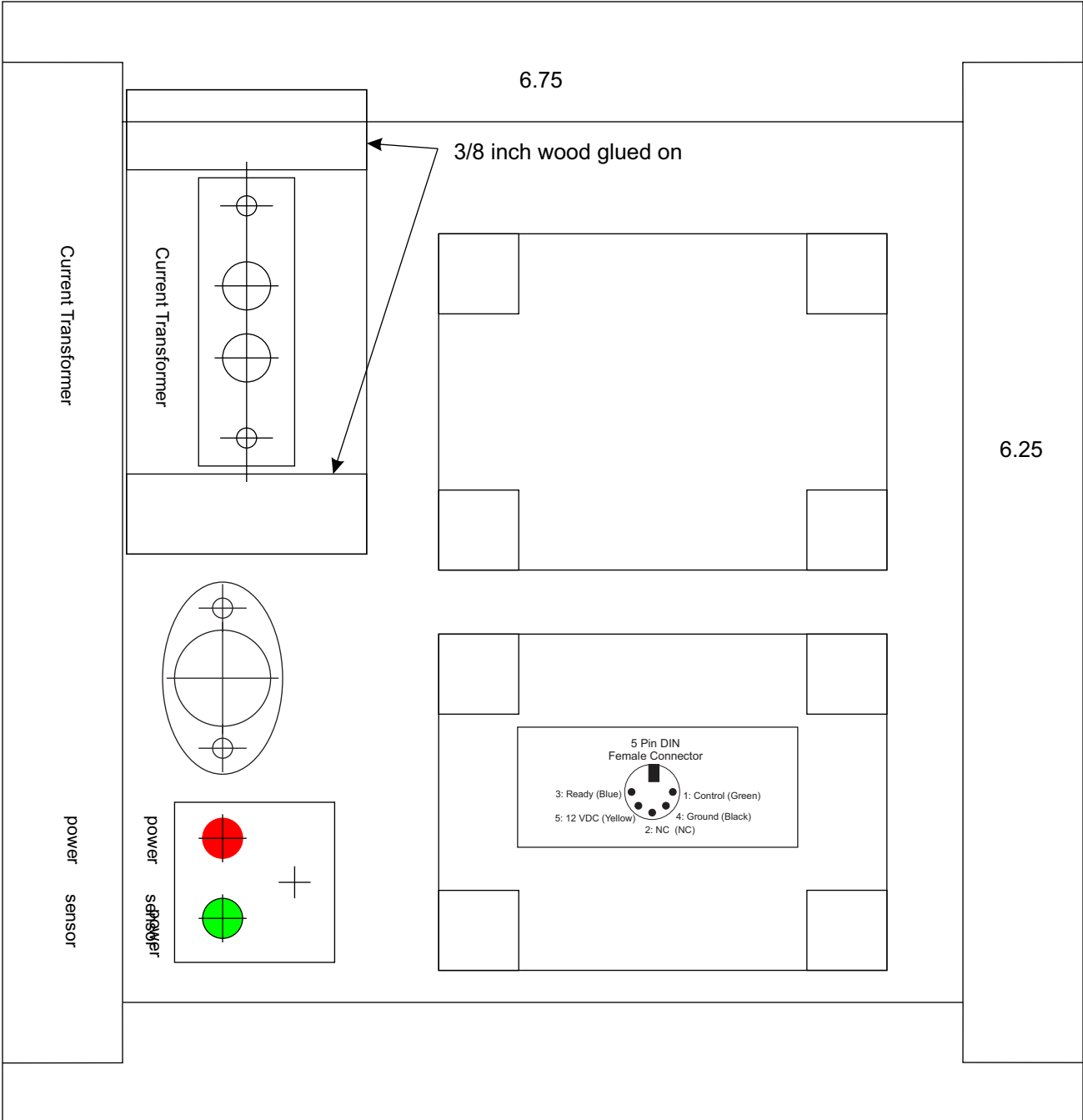


Current Sensor
 Norbert Doerry
 December 2018



Dryer Current Sensor
January 2019

6.75 by 7



Everything mounted to front cover
Front and back are 1/4 inch plywood
Front cover is screwed on. All other joints nailed and glued